



ADDC550P

High Resolution Color Mini Dome Camera
2.45mm/3.8mm/6.0mm Fix Lens Selectable

Features That Make a Difference

- High Sensitive 1/3" SONY Super HAD CCD
- Built-in Fixed Lens (f=2.45mm or f=3.8mm or f=6.0mm)
- High Resolution : 550TVL
- Min. Illumination : 0.3Lux
- AWB, AGC, BLC
- 3-Axis Movement for Free Lens Rotation

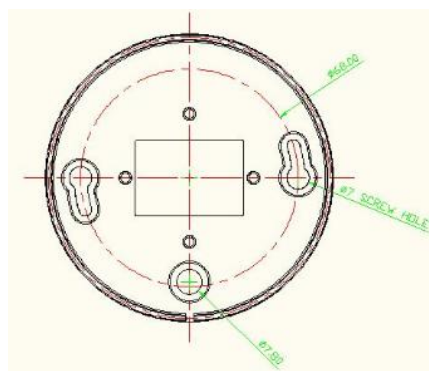
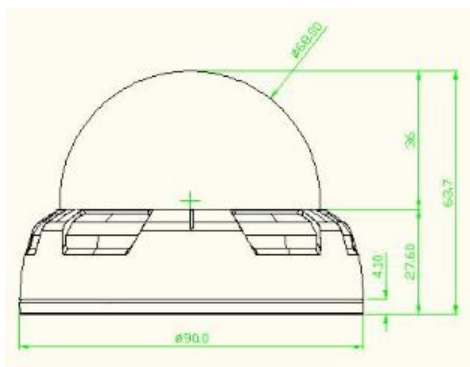
Application

Indoor small area surveillance application, such as corner, corridor and elevator (2.45mm lens), etc.

Specifications

	ADDC550N	ADDC550P
Signal System	NTSC	PAL
Scanning System	2:1 Interlace	
Scanning Frequency(H)	15.734kHz	15.625kHz
Scanning Frequency(V)	59.94Hz	50Hz
Image Sensor	1/3 inch SONY Super HAD CCD	
Sync. System	Internal	
Total Pixels Number	811(H) x 508(V) 410K	795(H) x 596(V) 470K
Effective Pixels Number	768(H) x 494(V) 380K	752(H) x 582 (V) 440K
Horizontal Resolution	550TVL	
Video Output Level	1.0 Vp-p (75Ω, Composite)	
S/N Ratio	More than 50dB (AGC off)	
Lens	Fixed Lens (f=2.45mm or f=3.8mm or f=6.0mm)	
Min. Illumination	0.3Lux	
White Balance	Auto	
AGC	Auto	
BLC	Auto	
Focus Mode	Manual	
Input/Output Connector	Power (Red Jack), Video (Yellow Jack)	
Electronic Shutter Speed	1/60~10,000sec	1/50~10,000sec
Power Consumption	DC12V (DC9V~15V) / 3W (Max)	
Dimensions	90(Φ) x 63.7(H) mm	
Weight (Net)	Approx. 116g	

Dimension



Product offerings and specification are subject to change without notice. Actual products may vary from photos. Not all products include all features. Availability varies by region; contact your sales representative.

Certain product names mentioned herein may be trade names and/or registered trademarks of other companies.

© 2009 Tyco Safety Products China. All Right Reserved. ADDC550P-DS-200911-R01-A4-EN

