

# Discover 300 Series

## 600 TVL Indoor and Outdoor Vandal-Resistant Mini-Dome Cameras



### Features That Make a Difference:

- 3-9mm or 9-22mm varifocal auto iris lens
- 3-axis gimbal with 360° pan provides flexibility in scene selection
- Digital noise reduction corrects imperfections on an image
- Auto White Balance finds best settings for the clearest images
- High-impact, vandal-resistant housing retains shape even after forceful impact (Outdoor only)
- Quick install adapter included for simple flush mounting options (Indoor only)
- Day/Night switching for low light conditions
- Eight programmable privacy zones
- 12VDC/24VAC

The Discover 300 Series Mini-Dome Cameras, both indoor and outdoor, offer an attractive price/performance ratio by providing higher resolution images and accurate color rendition to budget-conscious customers.

Digital Signal Processing (DSP), combined with 600 TVL on a 1/3" Format Interline CCD sensor, delivers clear picture quality typically available only from more expensive models. These mini-dome cameras offer backlight compensation (BLC), automatic gain control (AGC), auto iris and Auto White Balance.

An advanced pivoting axis allows you to position the camera at exactly the angle you need whether wall or ceiling mounted. Optimal white balance is achieved through pre-defined or user customized settings to provide the clearest possible images. Low light sensitivity renders sharp images in scenes as dim as 0.5 lux.

With up to eight data privacy zones, you can configure the camera to conceal private areas in the camera's field of view such as areas that are not subject to surveillance.

The mini-dome cameras feature a varifocal auto iris lens and a 3-axis gimbal for a full 360° rotation pan, and 90° of tilt axis for maximum flexibility in scene selection. These cameras are compatible with wall and ceiling mounting options with no additional hardware necessary, and are compatible with previously used Discover camera mounts.

The outdoor mini-dome includes a high-impact, vandal-resistant dome housing built to withstand the harshest environments. The camera housing is IP66-rated for complete protection against dust and other debris, and against water damage. An optional heater provides extra protection in cold weather environments.

These cameras are extremely reliable, easy-to-install, and designed for areas where a mixture of lighting conditions present unique challenges.

## Specifications

### Operational

Imager	1/3" Format Interline CCD sensor
Horizontal Resolution	600 TVL
Active Pixel Count (H x V)	
NTSC	768 x 494
PAL	752 x 582
Lens (Varifocal Auto Iris)	3-9mm: F1.2 or 9-22mm: F1.4
Scanning Frequency	2:1 Interlace
Min. Scene Illumination	0.55 Lux (50IRE, F=1.4, AGC max.)
Iris Control	DC auto
S/N Ratio	48 dB (100 IRE)
Synchronization	Internal
Shutter Speed	MES 1/60 (NTSC)/MES 1/50 (PAL), FLK, 1/250-1/100000, Auto

### Controls

AGC	Low, Middle, High, Off
AGC Dynamic Range	70 IRE-100 IRE
AES	Auto luminance control 1/60-1/100000 sec. max. (NTSC) Auto luminance control 1/50-1/100000 sec. max. (PAL)
BLC	2 Zone On, Off, HLC
White Balance	Auto
Auto White Balance Range	ATW1 (2700K-9700K), ATW2 (2000K-20000K), AWC, Manual
D/N Control	Auto, Color, B/W, Ext
Brightness	0-255 Level
Sharpness	0-31 Level
DWDR	On, Off
Noise reduction	On, Off
Privacy Zones	Eight programmable
Mirror	On, Off
On-screen Display	On, Off

### Connectors

Composite Video Output	BNC
Lens Mode	DC, Manual

### Electrical

Voltage	DC 12V ± 10% and AC 24V ± 20%
Power Consumption	2.6W (max.)

### Mechanical

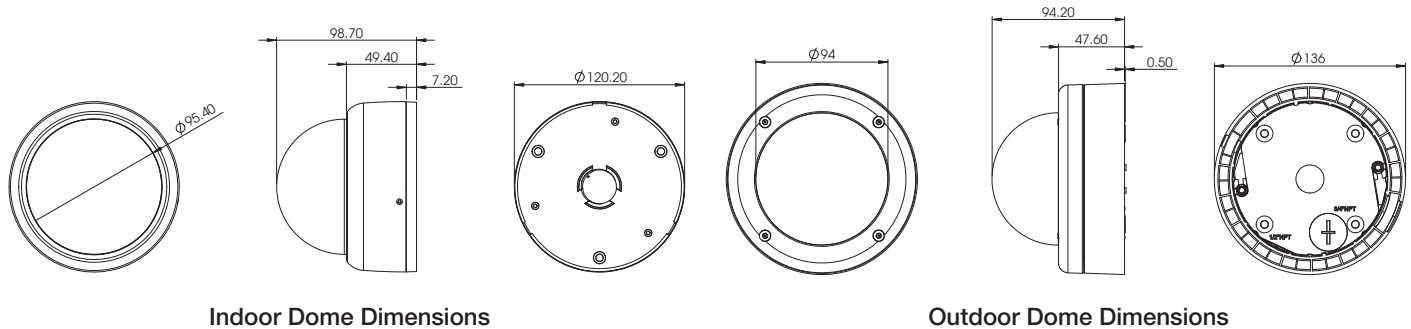
Dimensions (D x H)	
Indoor	120.2 x 98.5 mm (4.7 x 3.9 in)
Outdoor	136 x 94.2 mm (5.35 x 3.7 in)
Weight	
Indoor	250g (0.551lbs)
Outdoor	530g (1.17lbs)
Housing Material	Polycarbonate
Housing Color	
White	RAL 9003, Pantone® 705
Black	RAL 9017, Pantone Processed Black

### Environmental

Operational Temperature	
Without Optional Heater	-10°C to 50°C (14°F to 122°F)
With Optional Heater	-40°C to 50°C (-40°F to 122°F)
Storage Temperature	-20°C to 60°C (-4°F to 140°F)
Relative Humidity	90% (non condensing)

### Regulatory

IP Rating	IP66
Emissions	FCC: Part 15, Class B CE: EN61000, Class B
Immunity	CE: EN50130-4
Safety	NTSC: UL60950 and CSAC22.2 No. 60950 PAL: IEC60950



Indoor Dome Dimensions

Outdoor Dome Dimensions

## Ordering Information

Brand	Camera	Series	Dome	Color	Environment	Bubble	Lens	Format
AD	CA	3	D	W = White B = Black	I = Indoor O = Outdoor	T = Tinted C = Clear	2 = 3-9mm Varifocal 3 = 9-22mm Varifocal	N = NTSC P = PAL

## Accessories

Model	Description
ADCAHTR	Heater Kit for Outdoor Mini-Dome

## Related Products



## Approvals

